

1. Upgrading the Mini KVM Extender firmware

With the Mini KVM Extender Update software program you can upgrade the firmware for the:

- Receiver
- Transmitter

Mini KVM Extender Update software enables you to add new features and fix bugs in a quick and efficient manner.

You can install the Mini KVM Extender Update software on any computer.

The Mini KVM Extender Update software and latest firmware is on our Web site, www.minicom.com.

2. System requirements for the Update software

- Pentium 166 or higher with 16 MB RAM and 10 MB free Hard Drive space
- Free Serial port
- Windows 98 and later

3. Connecting the Mini KVM Extender System

To update the firmware, the Mini KVM Extender system must be connected as illustrated in the Quick Installation Guide. However, instead of connecting the Receiver to a KVM console, connect it to the RS232 Download adapter as explained in section 4.

Figure 1 illustrates the RS232 Download adapter.

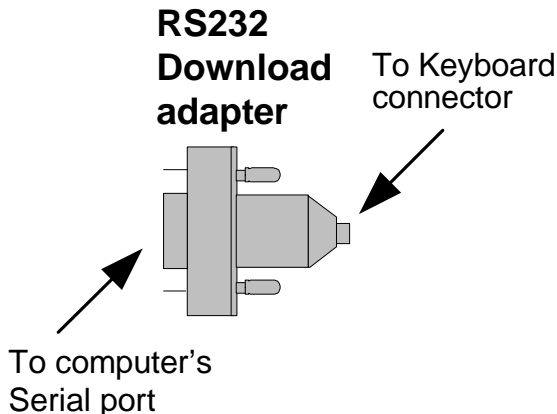


Figure 1 The RS232 Download adapter

4. Connecting the RS232 Download adapter

Connect the RS232 Download adapter to the Receiver and the computer containing the software, see Figure 2 below.

To connect the RS232 Download adapter:

1. Connect the adapter's MiniDIN6 connector to the Receiver's Keyboard connector.
2. Connect the adapter's DB9 connector to the computer's Serial port.

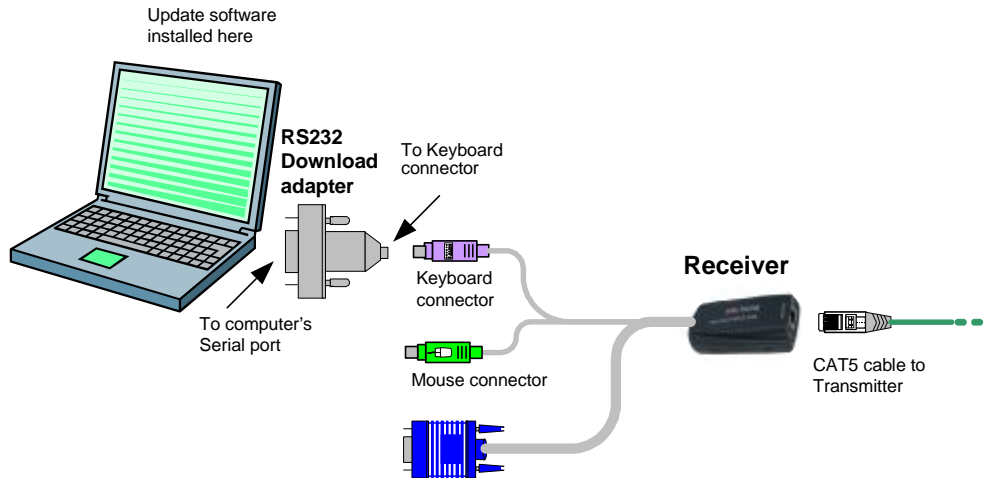


Figure 2 The RS232 Download adapter connections

5. Installing the software

Download the software from our Web site and install it on the computer. A Mini KVM Extender Update icon appears on the Desktop

6. Starting and configuring the Mini KVM Extender Update

1. Start the Mini KVM Extender Update software. The Mini KVM Extender Update window appears. See Figure 3.

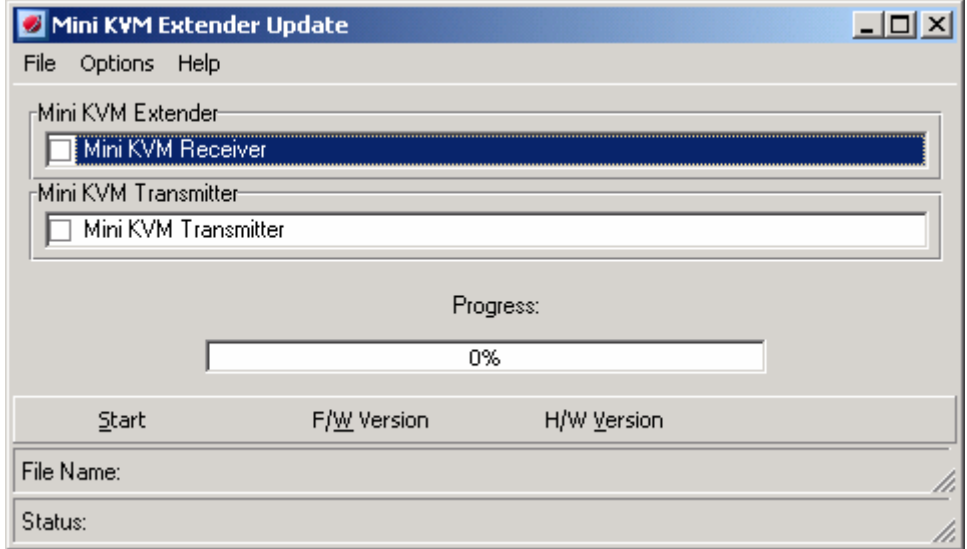


Figure 3 The Mini KVM Extender Update window

The table below explains the functions of the buttons and boxes in the Mini KVM Extender Update window.

Button or Box	Function
Start	Starts firmware download
F/WVersion	Displays the firmware version number
H/WVersion	Displays the hardware version number
File Name:	Name of Update file
Status:	Displays the type of process activated

- From the Options menu choose Com Port. The Com Port box appears. See Figure 4.

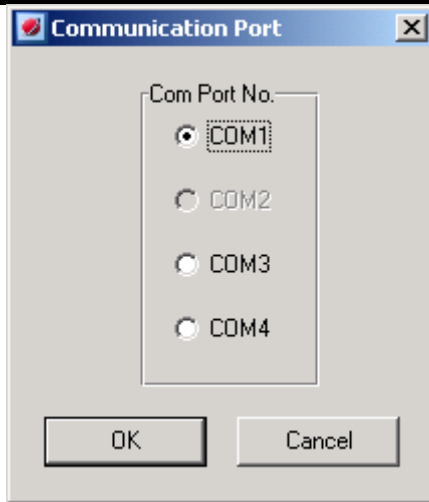


Figure 4 The Com Option box

3. Choose an available Com Port and click OK.

Note! The RS232 Download adapter must be connected to the selected Serial port.

7. Verifying the version numbers

Before upgrading the firmware, you must first verify which firmware and hardware versions you have.

The Receiver version number

To verify the Receiver version number:

1. Check the Receiver box option. See Figure 3.
2. Click **F/WVersion**. The firmware version number appears in the Receiver box.
3. Click **H/WVersion**. The hardware version number appears in the Receiver box.

The Transmitter version number

To verify the Transmitter version number:

1. Check the Transmitter box option. See Figure 3.
2. Click **F/WVersion**. The firmware version number appears in the Transmitter box.

- Click **H/W Version**. The hardware version number appears in the Transmitter box.

Note! When “**Not responding**” appears, the computer is not connected, or it is switched off, or the correct COM port has not been selected, or the CAT5 cable between Receiver and Transmitter is not connected. See section 6 above.

8. Obtaining new firmware

Download the latest firmware for your system from www.minicom.com

9. Updating the firmware

Warning!

Never switch off the computer connected to the Mini KVM Extender system during the updating process.

To update the firmware:

- Check the appropriate box – Receiver or Transmitter.
- From the **File** menu, choose **Open**. The **Open** box appears. See Figure 5.
- Navigate to the folder that contains the firmware update file. You may only see the files that match the file selection mask.

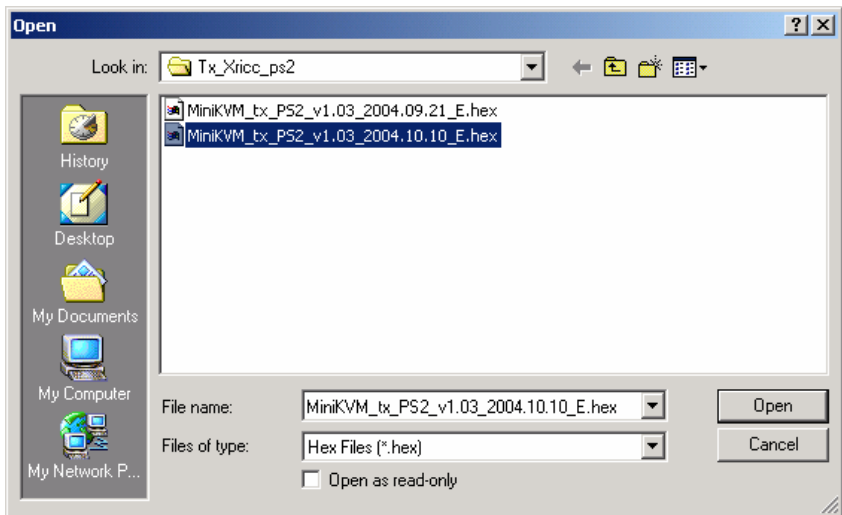


Figure 5 The Open box

- Open the file.
- Click **Start**. The Mini KVM Extender Update flashes the firmware. On completion the firmware version number appears.

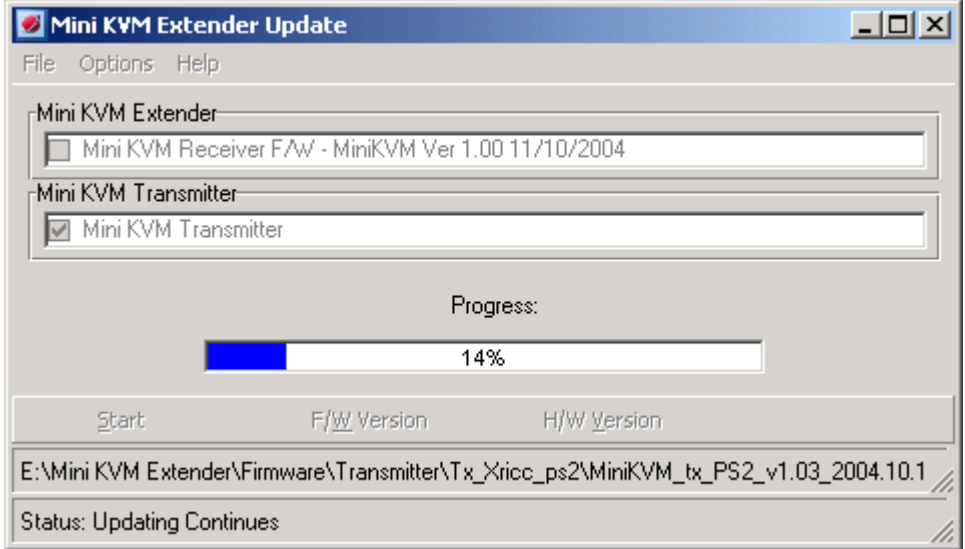


Figure 6 Updating the firmware

10. Troubleshooting tips

When using Firmware Update software you may sometimes get a Communication Error message.

When updating a unit and a Communication Error message appears, do the following:

1. Check that the RS232 Download adapter is connected to:
 - The Receiver's Keyboard connector.
 - The correct COM port as selected in section 6 above.
2. Check that the Receiver is connected to the power supply.
3. Check that the computer where Transmitter is connected is switched on.
4. Check that the CAT5 cable between Receiver and Transmitter is properly connected
5. Restart the download process.

Electricity failure

When the electricity fails while updating the Mini KVM Extender firmware, restart the upgrade from the beginning.