

## Application

### Title: Local Console for Server Connected To KVM Switch

No: 200702-02

contact: [minicom.technical@minicom.com](mailto:minicom.technical@minicom.com)

Summary: Extend a server from Smart CAT5 Switch and have a local KVM at server.

### More Information:

To achieve two additional functions with the Smart CAT5 Switch

1. Extend console from server up to 110m and
2. Have a local console on the server.

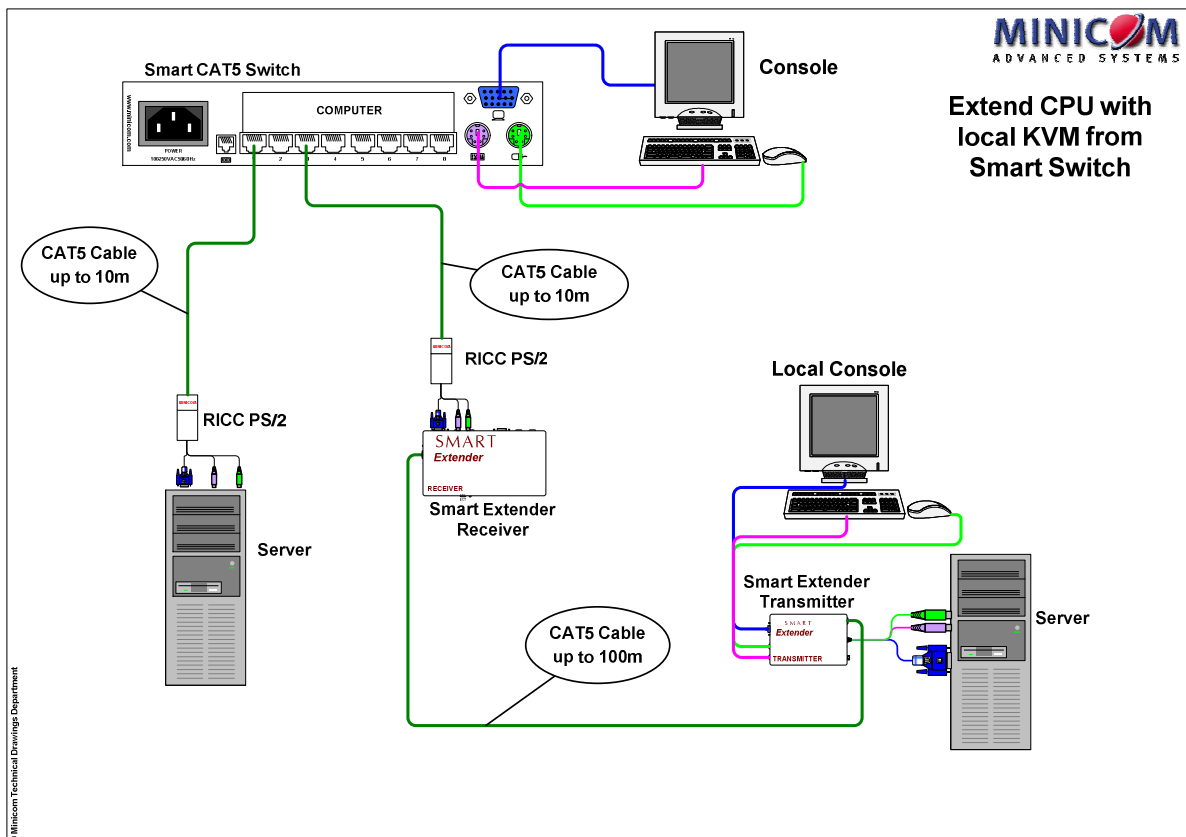
You may connect Smart CAT5 Extender between RICC and server/computer.

The setup requires the following firmware versions of products:

Smart Extender Firmware version 1.3

Smart CAT5 Switch Firmware versions:

Manager: 1.4, OSD: 1.10, RICC PS/2: 1.4



### Important Note:

Because RICC PS/2 is connected to Smart Extender Receiver and not to a server, the OSD will always display this port as switched on, regardless of actual server status.