

Application

Title: Connecting Smart IP Access / IP Control to cascaded Smart CAT5 Switches

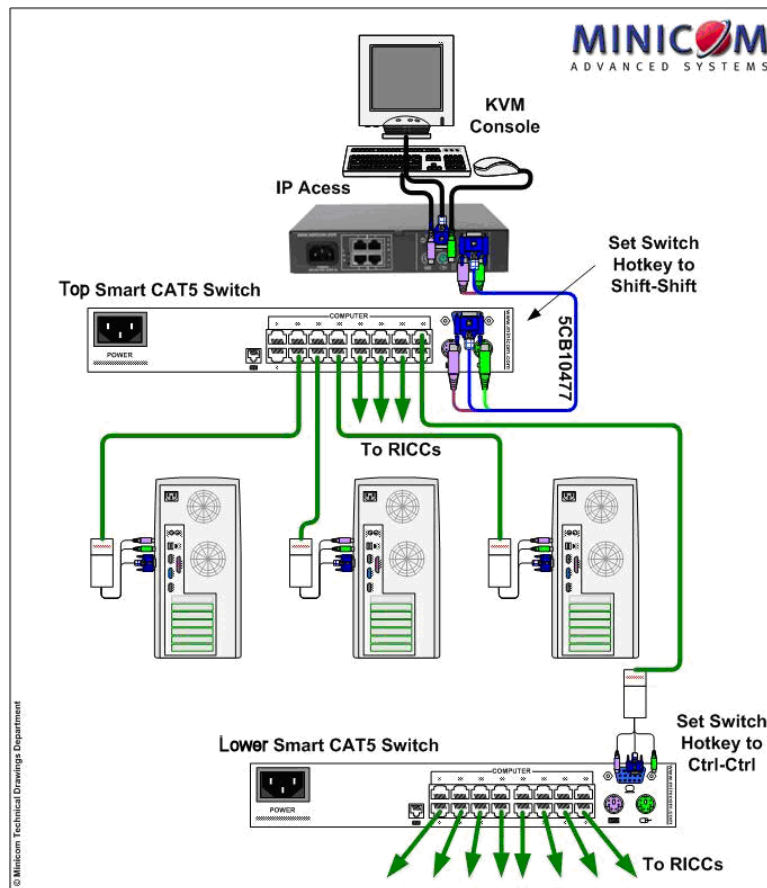
No: 200703-02

Contact: mtu@minicom.com

Summary: Connecting the Smart IP Access or IP Control to Smart CAT5 Switch which is connected to more than 16 servers

More Information

You can connect an Smart IP Access or IP Control unit to 2 cascaded Smart CAT5 Switches and control up to 31 servers (see diagram below).



Configure and connect the system as follows:

1. Configure the 'TOP' level Smart CAT5 Switch hotkey to be SHIFT, SHIFT.
2. Configure the 'LOWER' level Smart CAT5 Switch hotkey to be CTRL, CTRL.
3. Connect a RICC PS/2 via CAT5 cable to Computer Port #16 of the 'TOP' level Smart CAT5 Switch, and connect its KVM connectors to the Console ports of the 'LOWER' level Smart CAT5 Switch.

4. Connect the Smart IP Control or IP Access to the Console ports of the “TOP” level Smart CAT5 Switch.
5. Download the following switch file. Unzip its content and save .rpc file to you local hard drive.
<http://www.minicom.com/support/SwitchFiles/SmartCAT5SwitchsCascaded.zip>
6. Login to the configuration page of the Smart IP Access or IP Control at (<https://xxx.xxx.xxx.xxx/config>) (where xxx.xxx.. is the network address of your Smart IP Access or IP Control unit).
7. From the menu click “Switch Configuration” and press “Browse” in the ‘Install Switch Definition File’ section.
8. Select the .rpc file you unzipped and click “Import SDF”.
9. Configure the Server names connected to the Smart CAT5 Switch ports and press Apply button.

Notes:

- Maximum distance between the two Smart CAT5 Switches should not exceed 10m.
- To connect more then two Smart CAT5 Switches to Smart IP Access or IP Control, contact Minicom Technical Support team.