

Application

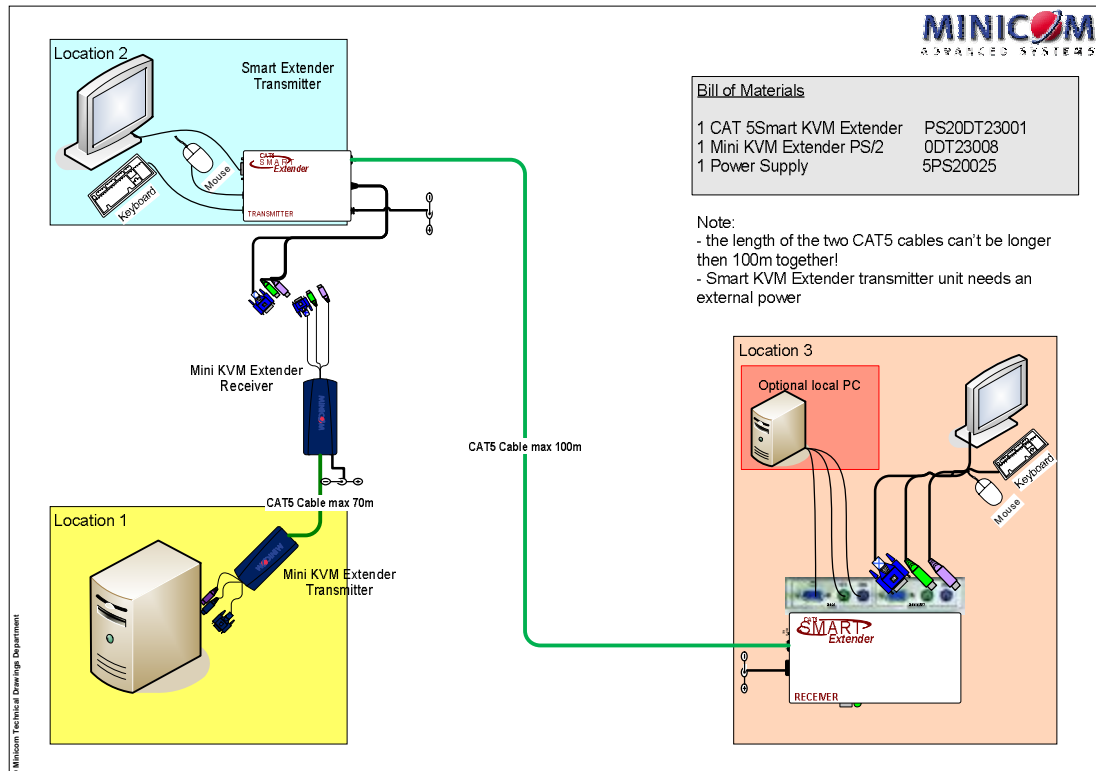
Controlling one computer from two remote consoles

No:200708-01

Contact: mtu@minicom.com

More Information

For an application where there is the need to control a PC from two different remote consoles this is a possible solution:



- The controlled PC is connected to the Mini KVM extender transmitter and through a CAT5 cable (up to 70m) to the Mini KVM receiver.
- One user console is connected to the Smart KVM Extender and the second console is connected to the receiver of the Smart KVM Extender unit.

Notes:

- When two users are working at the same time the control is determined on a first come/first served basis.
- The Smart Extender Receiver unit has the option to connect a Local PC where the remote user can work on the Local PC or can switch and control the remote PC.
- The Smart KVM Extender Transmitter unit is required to connect to an additional power supply (PN: 5PS20025).