

Application

Title: Controlling multiple SUN Computers while allowing local access

No: MTU200803-03

Contact: mtu@minicom.com

Summary: The following information explains how to control Sun servers from a single console using the Smart CAT5 switch and still maintain a local console for each server.

More Information

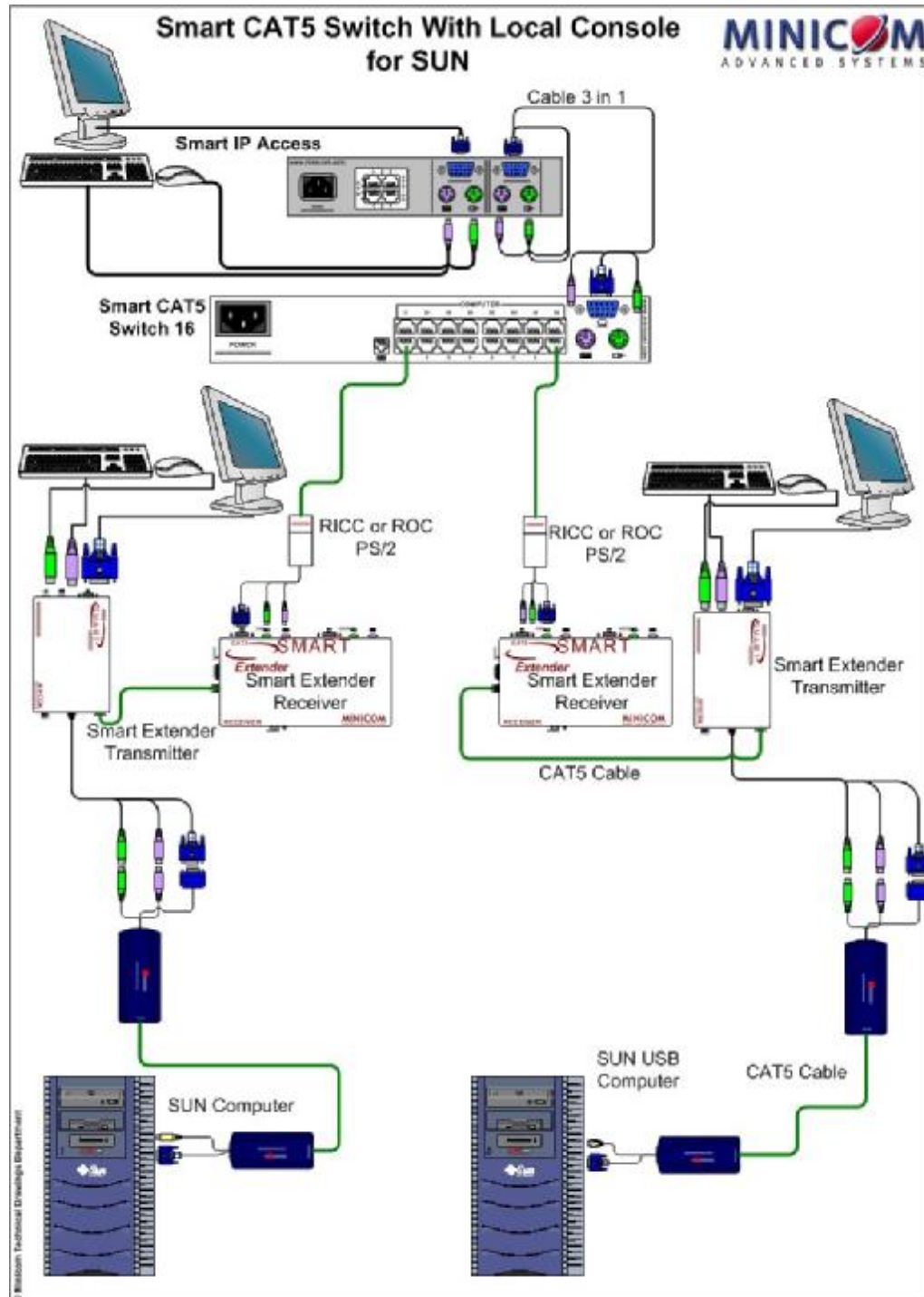
When you need to control multiple SUN computers from one Keyboard, Video, Mouse, and maintain the ability to control each computer from a local console (not at the same time), the information below explains how to do this. In addition, the user may access the KVM switch over the TCP/IP Network protocol.

The solution:

1. Use the Smart CAT5 Switch to the control the servers from one console.
2. A Smart CAT5 Extender system will be used to add a local console next to each server as shown in the diagram below.
3. A MiniKVM Extender USB will be used to enable the connection to the SUN machine.
4. For the TCP/IP Network access you may use the Smart IP Access which is connected to the local console of the Smart CAT5 Switch.
5. Part numbers of the products:

Smart IP Access:	0SU51068
Smart KVM Extender:	0DT23001
Smart CAT5 Switch 16:	0SU22082
ROC PS/2:	0SU51078
MiniKVM Extender SUN:	0DT23009
MiniKVM Extender USB:	0DT23010

Solution diagram:



Notes:

The console on the application needs to have a PS/2 keyboard, the PS/2 keyboard can emulate the additional SUN keys. The following information you can also find the MiniKVM Extender user guide. You may configure these hotkeys on the Remote IP toolbar as well.

The connected PS/2 keyboard does not have a special SUN keypad to perform special functions in the SUN Operating System environment. So when a USB or SUN Transmitter is connected to a SUN computer, the Transmitter emulates these SUN keys using a set of key combinations called Combo keys. See the table below:

SUN key	Combo key
Stop	Left Ctrl + Alt + F1
Props	Left Ctrl + Alt + F3
Front	Left Ctrl + Alt + F5
Open	Left Ctrl + Alt + F7
Find	Left Ctrl + Alt + F9
Again	Left Ctrl + Alt + F2
Undo	Left Ctrl + Alt + F4
Copy	Left Ctrl + Alt + F6
Paste	Left Ctrl + Alt + F8
Cut	Left Ctrl + Alt + F10
Help	Left Ctrl + Alt + F11
Compose	Application key or Left Ctrl + A + Keypad *
Crescent	Scroll Lock
Volume Up	Left Ctrl + Alt + Keypad -
Volume Down	Left Ctrl + Alt + Keypad +
Mute	Left Ctrl + Alt + F12
Sun Left ◊ key	Left Windows key
Sun Right ◊ key	Right Windows key
Alt-Graph	Right Alt or Alt Gr
Stop A	Left Ctrl + Alt + 1

From the remote IP Client you can add the Combo keys to the Smart IP Access 'Special keys' control menu (page 23-24 in the user guide)

